

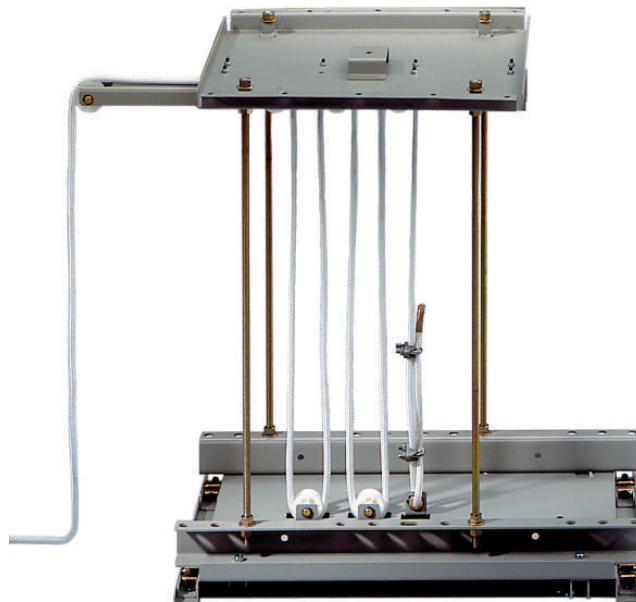
CEILING MOUNT CM100-CRT

A Rugged Ceiling Support System for Large BARCO Projectors

The CM100-CRT enables mounting of any BARCO 800, 808, 1200 series CRT projector to the ceiling, and to adapt the projector perfectly for various mounting requirements.

Features

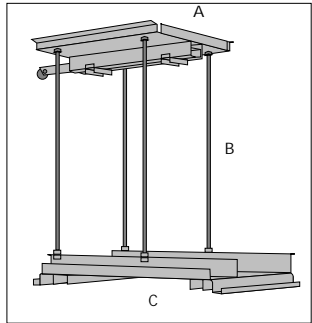
- A pulley system facilitates lifting, installation and maintenance of the projector
- Adjustable height from direct ceiling mount to 735mm (29")
- The projector can easily be leveled through four corner screws
- After fitting to the ceiling, it is possible to move the projector until projection is perpendicular to the screen
- Slide-in of the projector and automatic lock system through two security pins
- It is possible to lift a dual projector stack assembly (frame for multiple projectors should be used)



Technical Specifications

Dimensions	inch	mm
Upper plate (A):	20x17.3	510x440
Screwed rods (B):	28.9	735
Lower plate (C):	30x20.1x3	726.5x512x77

The length of the threaded rods is adjustable to meet installation requirements.



Weight

Net weight: 79.0 lbs. - 36.0 kg

Shipping weight:
88.0 lbs. - 40.0 kg

Upper plate: 15.9 lbs. - 7.2 kg

Lower plate: 37.9 lbs. - 17.2 kg

Maximum load:
441.0 lbs. - 200.0 kg

The ceiling should be capable of supporting a weight of at least 1,764 lbs. / 800 kg⁽¹⁾

Compatibility

The CEILING MOUNT CM100-CRT can be used with a BARCO 800 Series, 808 Series, 1200 (1208, 1209, 1609) Series

Order Information

CM100 for CRT projectors

CM100 with pulley R9827341

CM100 without pulley R9827342

(1)The ceiling should be capable of supporting a weight of at least 1,600 kg (3,527 lbs) when carrying a dual projector.



BARCO Projection Systems is an ISO 9001 registered company.

The information and data given are typical for the equipment described. However any individual item is subject to change without any notice.



BARCO Projection Systems
Head Office
Noordlaan 5 8520 Kuurne, Belgium
Tel: +32 / 56 / 368 211
Fax: +32 / 56 / 351 651
E-mail: sales.bps@barco.com
Visit BARCO at the web: <http://www.barco.com>

